



WHTC – OUTDOOR HOUSING FOR THERMAL CAMERAS

Datasheet

Release date: 26th of January 2021

Revision number: 210126

Workswell Housing for Thermal Cameras

Introduction

WHTC Workswell protective outdoor housing for thermal cameras is specially designed for using in various industrial, fire-safety and surveillance applications. The housing is suitable for different thermal cameras that can be equipped with smaller or bigger lenses. Workswell fixed housing offers effective protection **IP67** against dust, rain, snow and freezing conditions due to integrated heater system and the window from germanium.



The main part of the housing is very well optimized for maximum heat dissipation from camera electronics. For this reason is thermal measurement stable even at high operational temperature fluctuations. The open system allows an easy access for installation of different kind of infrared cameras including **Workswell WIC**, **Workswell SMARTIS**, FLIR A-series etc. not exceeding dimensions **134 x 88 x 273 mm**.



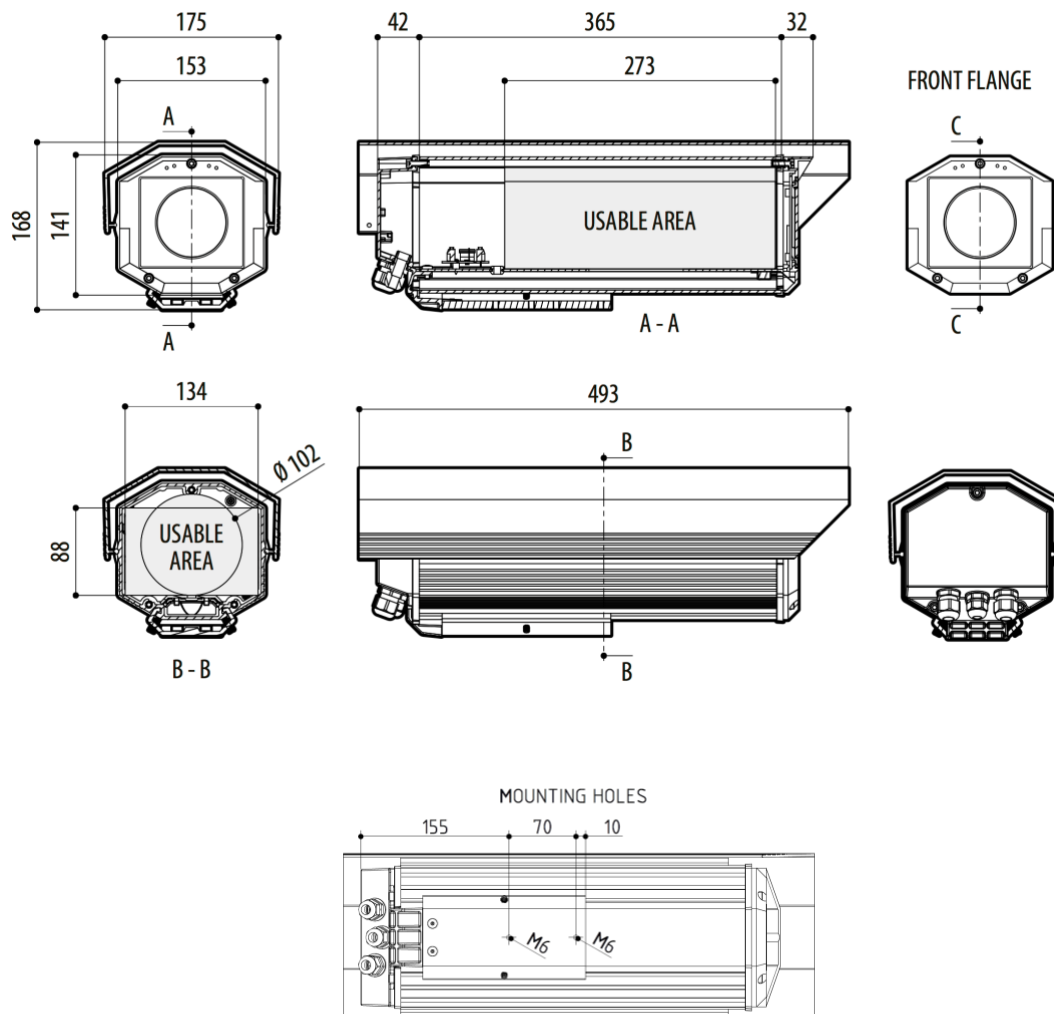
Technical specifications

General information	
Germanium window	
Die-cast aluminum back and front cover plates	
Extruded aluminum body and external slide	
Stainless steel external screws	
Hi resistance powder coating	
Mechanical information	
Cable glands	3 x M16
Internal usable area (W x H x L)	134 x 88 x 273 mm
Weight	4.1 kg
Germanium window information	
Material	Germanium
Spectral range	7.5 – 14 μm
Dimensions	External 70mm, Internal 55mm
Thickness	2mm
External treatment	Scratch resistant (Hard Carbon Coating), Antireflection
Internal treatment	Antireflection
Power supply and heating	
Power supply	12Vdc, 1.6A max
	24Vac, 0.85A max, 50/60Hz
	120Vac, 0.35A max, 50/60Hz
	230Vac, 0.18A max, 50/60Hz
Heater	On Temperature 15 °C ± 3 °C Off Temperature 22 °C ± 3 °C
Operating environment	
Indoor / Outdoor	Yes
IP protection	EN60529, IP66/IP67 with cable glands
Operating temperature with heating	-20 °C...+60 °C

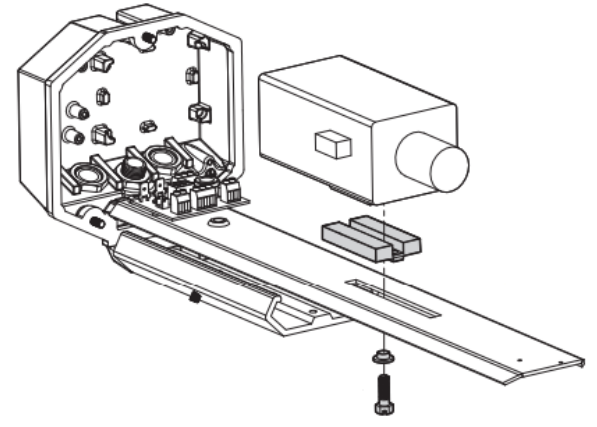
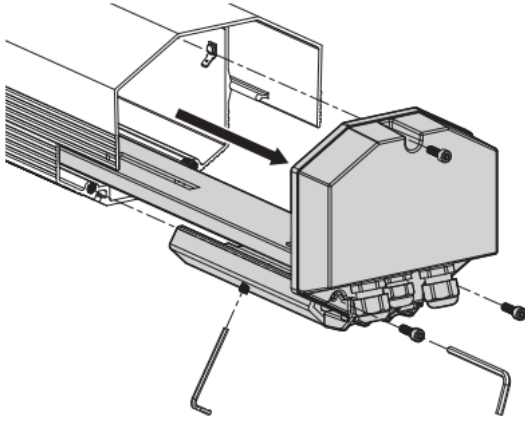
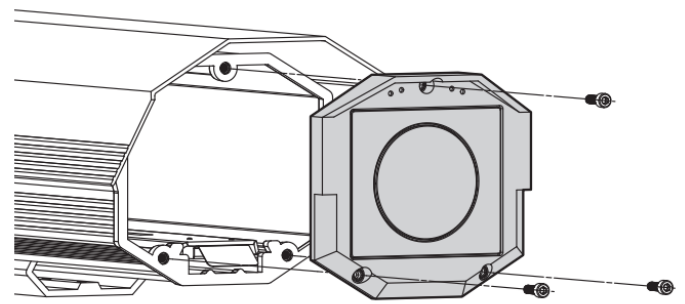
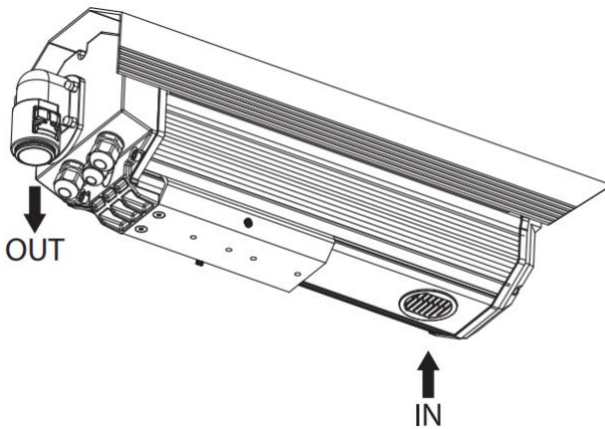


Certifications	
Electrical safety (CE)	EN60065
Electromagnetic compatibility (CE)	EN50130-4, EN61000-6-3
EAC certification	Yes
Accessories	
	Wide range camera power supply IN 100-240Vac-OUT 12 Vdc, 1.25A
	Camera power supply IN 230Vac-OUT24Vac, 10VA
	Wide range camera power supply IN 100-240Vac-OUT 12Vdc, 1.25A in waterproof box
	Camera power supply IN 230Vac-OUT24Vac, 10VA in waterproof box
	Waterproof junction box

Dimensions (in millimetres)



Installation



Mounting accessories

WALL MOUNT BRACKET

PARAPET BRACKET

CEILING MOUNT BRACKET

REINFORCING SUPPORT PLATE

POLE MOUNT ADAPTOR

CORNER MOUNT ADAPTOR



Contact information

WORKSWELL IN THE WORLD



Find our partners worldwide

www.workswell.eu/where-to-buy

SALES DEPARTMENT

Website: www.workswell.eu

E-mail: sales@workswell.eu

Mobile: +420 737 547 622

COMPANY CONTACT

Website: www.workswell.eu

E-mail: info@workswell.eu

Mobile: +420 725 877 063

OFFICE LOCATIONS

Europe - Prague

United States of America

Global partner network

www.workswell.eu

