

Fluke-700HTH-1

Hydraulic Test Hose

Instruction Sheet

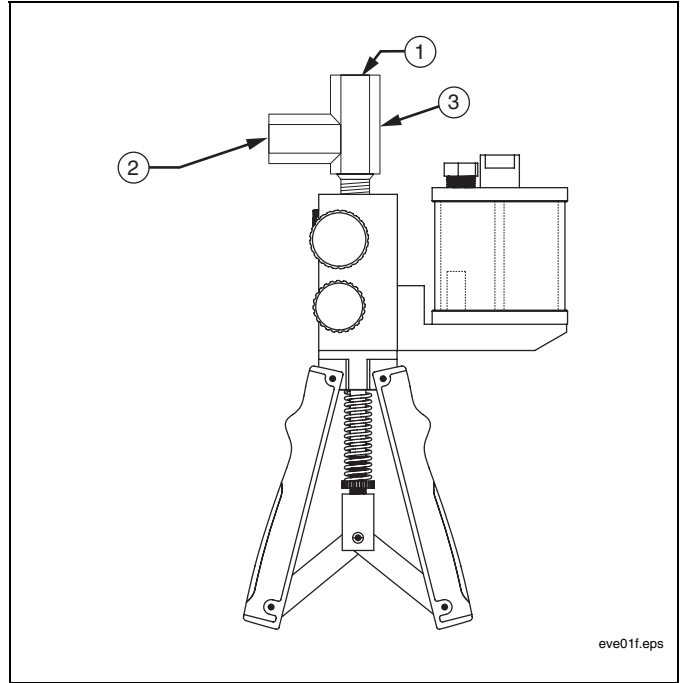
Introduction

The Fluke-700HTH-1 Hydraulic Test Hose is designed to work with the Fluke-700HTP-1 Hydraulic Test Pump. It is self-sealing, with an easy, finger-tight connection, and low volumetric expansion. The hose has the following specifications:

- Maximum pressure: 690 bar / 10,000 psi
- Minimum bend radius: 60 mm / 2.36 in.
- Working temperature: - 40 °C to + 120 °C (- 40 °F to + 250 °F)
- Construction: nylon, stainless steel, zinc, plated steel, and nitrile
- Outer diameter: 6.0 mm (0.20 in.)
- Fluids: water, mineral-based hydraulic oil

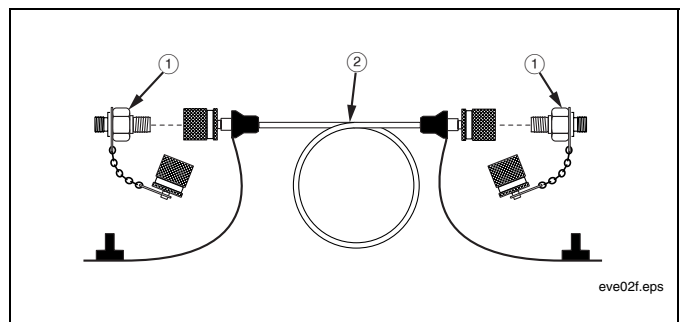
Box Contents

- (1) .84 m (33 in) self-sealing hose assembly
- (2) ¼ in NPT male hose fittings
- (1) Adapter: 1/4 in NPT female to 1/4 in BSP male
- Instruction Sheet



eve01f.eps

①	Master Pressure Port
②	Test Pressure Port
③	Tee



eve02f.eps

①	Hose Fitting
②	Hose Assembly

Guidelines for Use

⚠ Warning

To prevent personal injury, do not exceed working pressure and ensure that all connections are made correctly. Pressure built up internally during use can be extremely high. Uncontrolled release of high pressure can be hazardous to individuals and may cause damage to equipment.

1. Connect hose fitting to the test pressure port of the 700HTP-1 pump.
2. Connect other hose fitting to item under test.
3. Ensure hose connections are fully screwed down before applying pressure.
4. **Only** use mineral-based hydraulic oil or distilled water.
5. **Do not** attempt to use hose if there are any signs of damage to the outer covering, i.e., cuts, kinks, etc.
6. **Do not** bend hose more than the minimum bend radius of 60 mm (2.36 inches).
7. **Do not** attempt to connect or disconnect the hose while under pressures greater than 200 bar/3000 psi.

LIMITED WARRANTY AND LIMITATION OF LIABILITY

This Fluke product will be free from defects in material and workmanship for one year from the date of purchase. This warranty does not cover fuses, disposable batteries, or damage from accident, neglect, misuse, alteration, contamination, or abnormal conditions of operation or handling. Resellers are not authorized to extend any other warranty on Fluke's behalf. To obtain service during the warranty period, contact your nearest Fluke authorized service center to obtain return authorization information, then send the product to that Service Center with a description of the problem.

THIS WARRANTY IS YOUR ONLY REMEDY. NO OTHER WARRANTIES, SUCH AS FITNESS FOR A PARTICULAR PURPOSE, ARE EXPRESSED OR IMPLIED. FLUKE IS NOT LIABLE FOR ANY SPECIAL, INDIRECT, INCIDENTAL OR CONSEQUENTIAL DAMAGES OR LOSSES, ARISING FROM ANY CAUSE OR THEORY. Since some states or countries do not allow the exclusion or limitation of an implied warranty or of incidental or consequential damages, this limitation of liability may not apply to you.